



T20 LABEL REWINDER
USER GUIDE

CONTENTS

- 1 **Box Contents**
 - 2 **Getting to Know Your T20 Rewinder**
Device Overview
 - 3 **Setting Up the Rewinder**
Connection
Loading the Label
Install the Plate
Remove the Plate
Label Core in Different Sizes
Match Up the Empty Label Core and Core Adapter
The Modes of Rewinding
 - 4 **What's the Status of the Rewinder**
LED Indicator
When the Rewinder is Full
 - 5 **Troubleshooting**
Sensing Error
Idle Load
- Appendix**
Product Specifications

DOCUMENT DESCRIPTION

T20 Label Rewinder

Version : Rev. 1.01

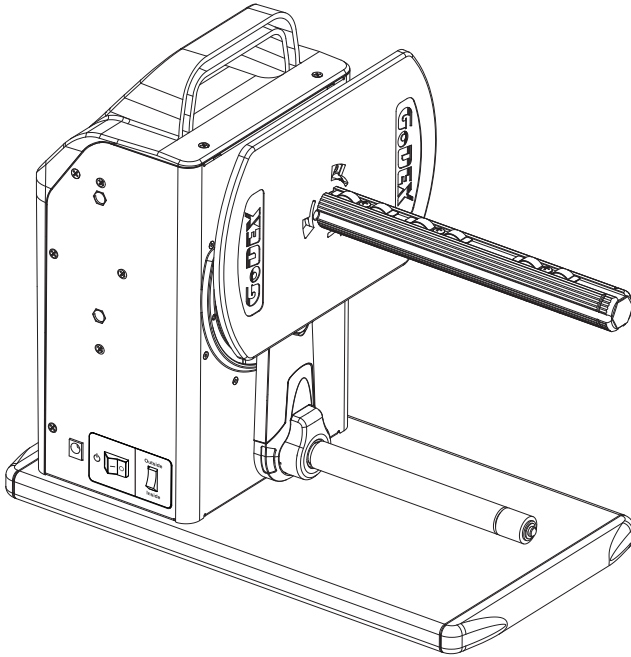
Issue Date : 2012.12.10

Part NO. : 313-042200-103

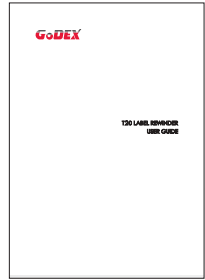
If you are looking for manuals in other languages or newer editions,
please visit our website www.godexintl.com.

1 BOX CONTENTS

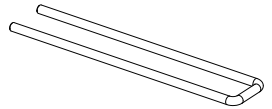
- T20 Label Rewinder



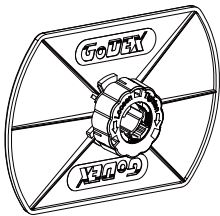
- User Guide



- Paper Clip

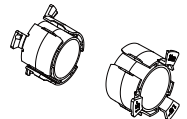


- Paper Stop Plate

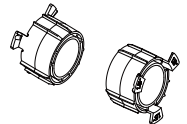


- 1.5'' Adapter

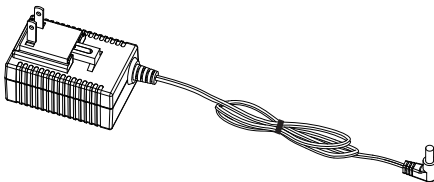
38 mm



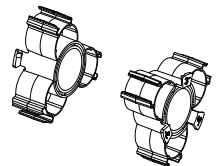
40 mm



- Power Adapter



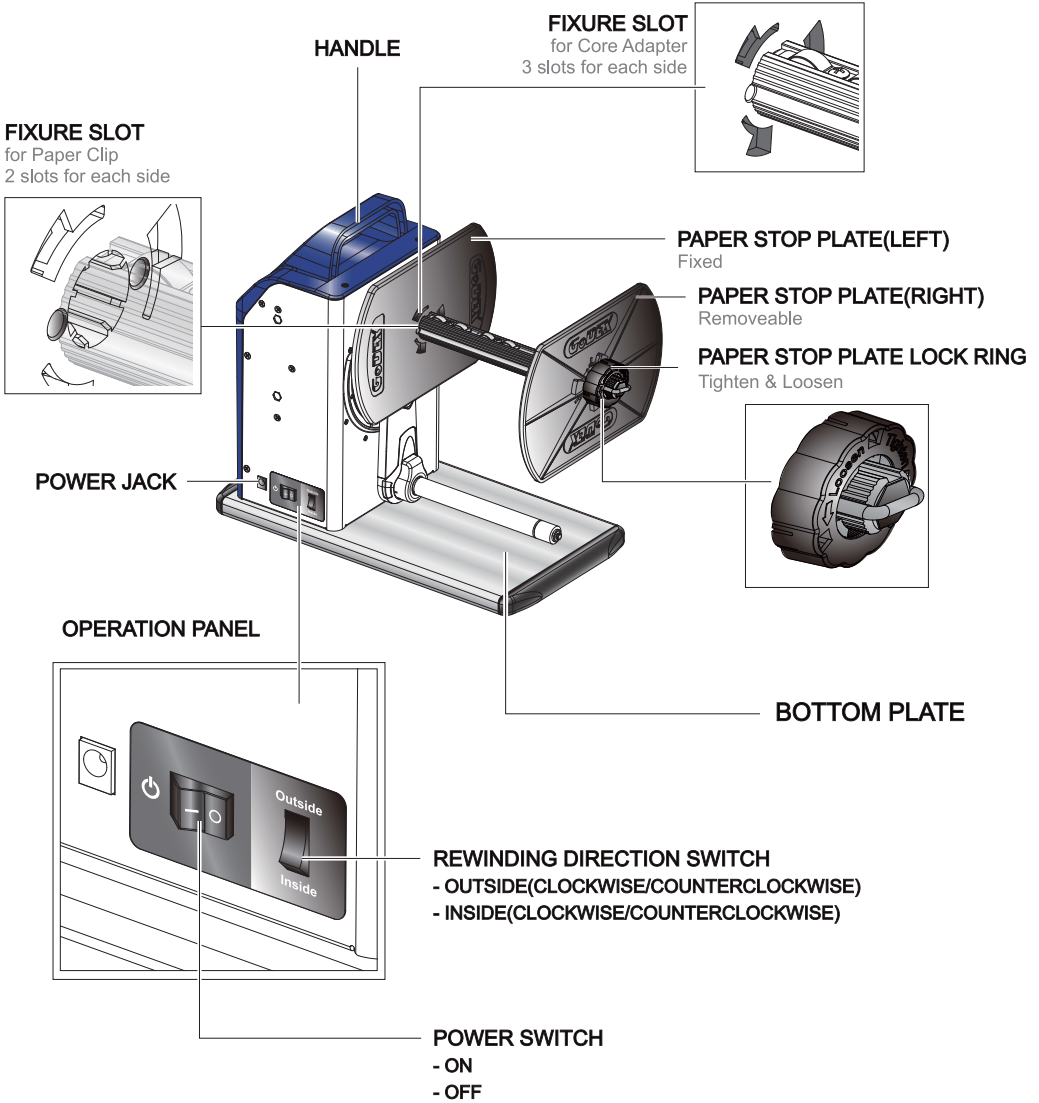
- 3'' Adapter



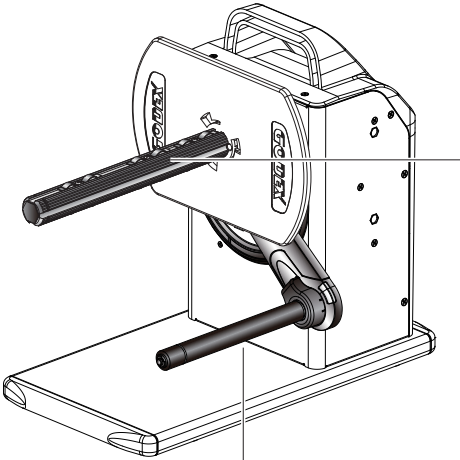
2 GETTING TO KNOW YOUR T REWINDER

Device Overview

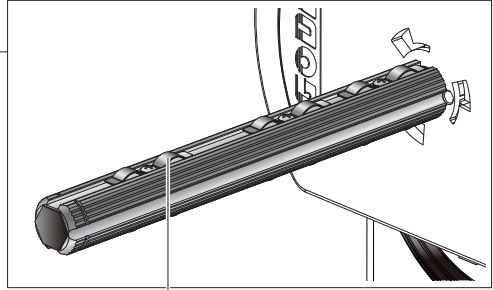
- Front View



- Rear View



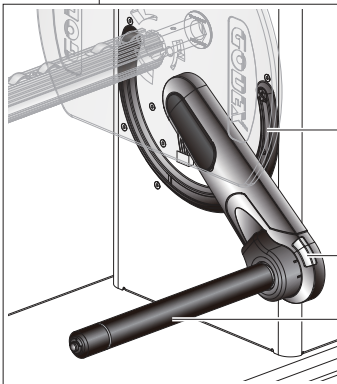
LABEL REWINDING SHAFT



SPRING SLICE

CONTROL MECHANISM

- Start
- Direction
- Status



GUIDE TRACK

LED INDICATOR

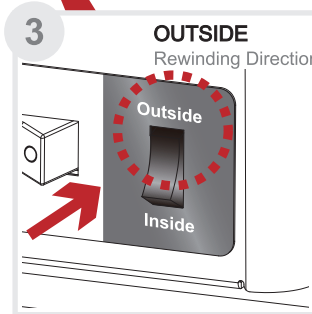
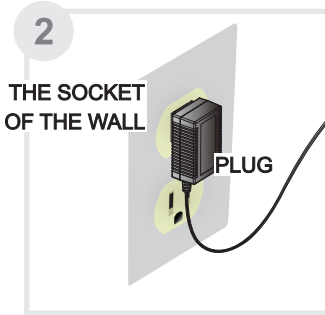
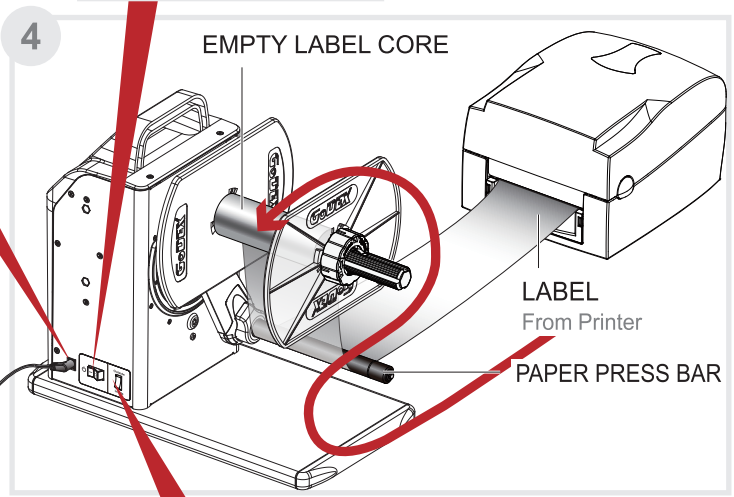
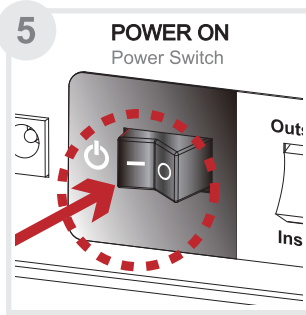
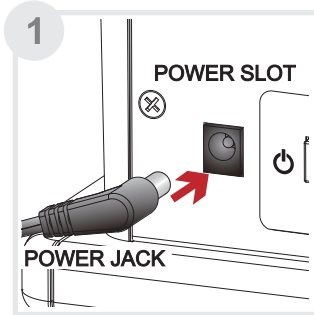
PAPER PRESS BAR



Be Clean

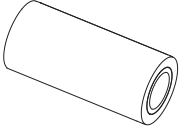
3 SETTING UP THE REWINDER

Connection

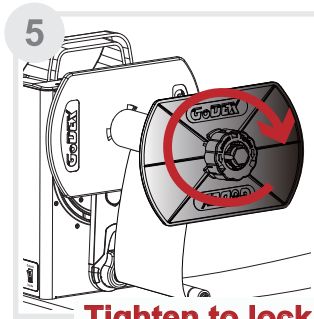
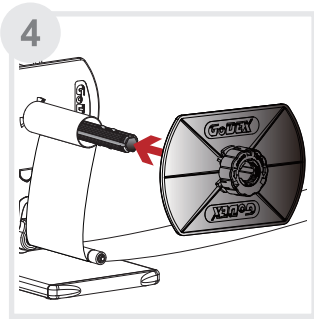
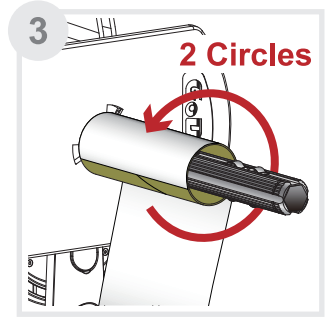
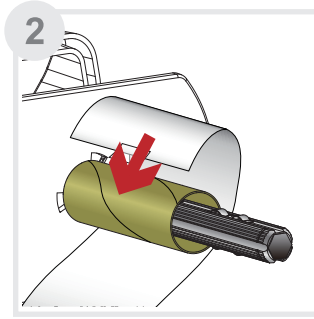


Loading the Label

Label Stock



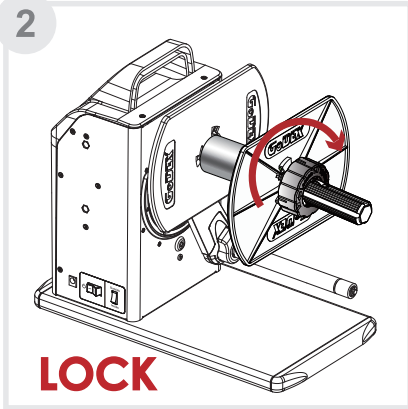
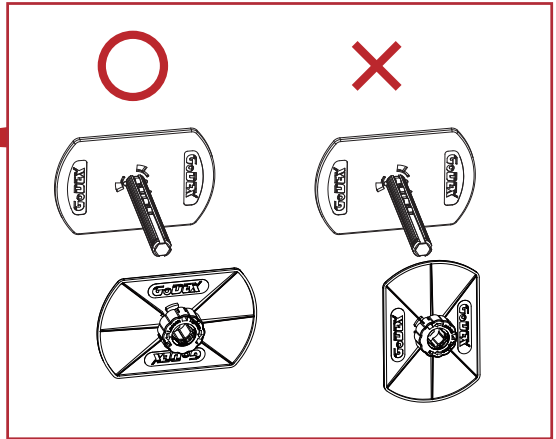
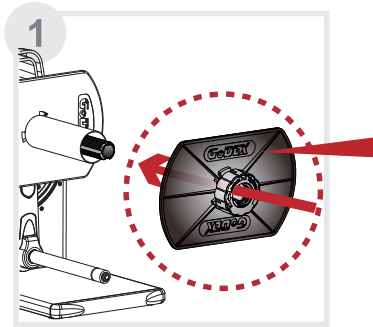
**Through the
paper press bar**



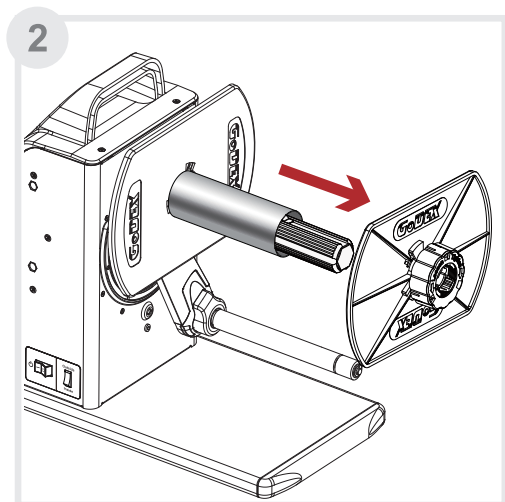
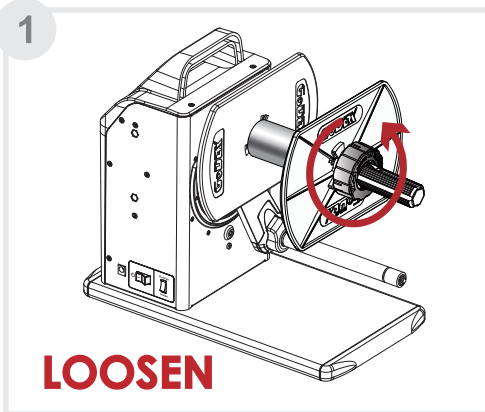
Tighten to lock

Install and Remove the Plate

Install



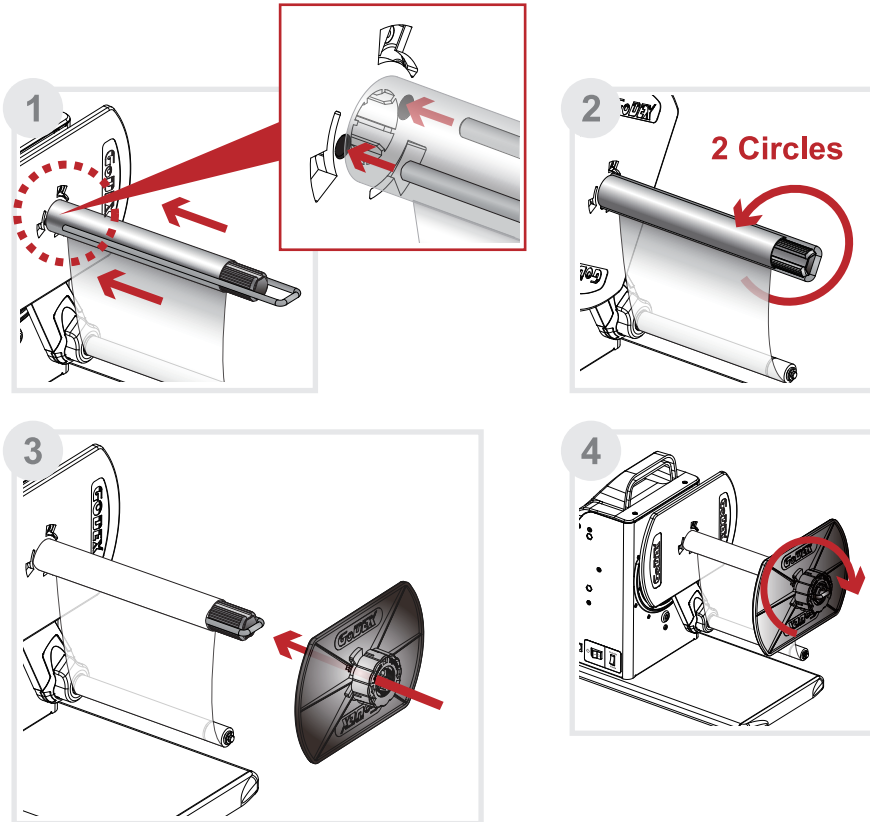
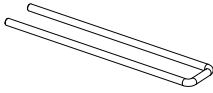
Remove



Label core in different sizes

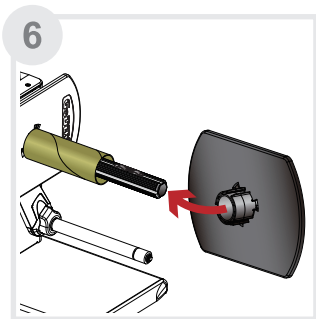
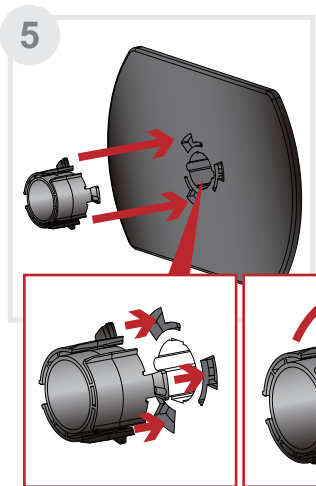
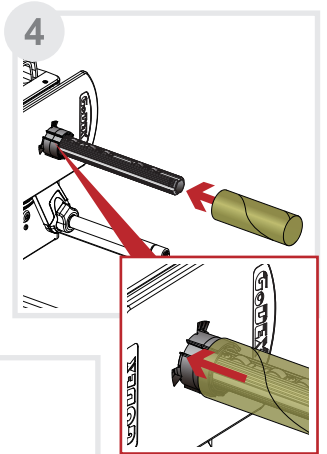
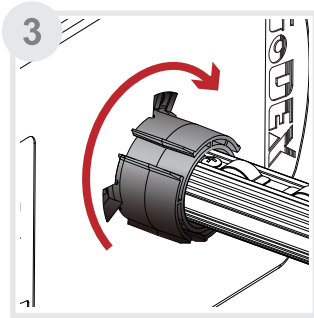
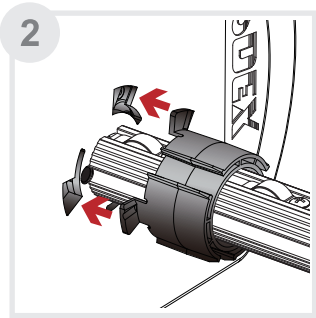
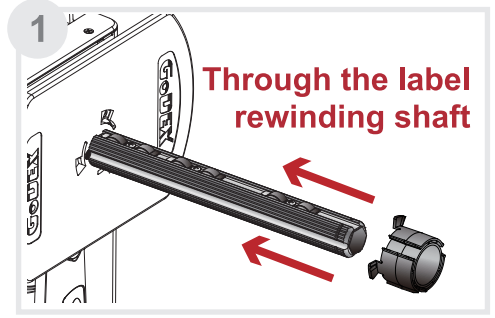
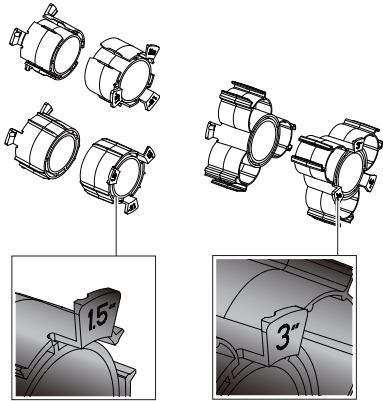
Paper Clip

for 1", to fix label in position.



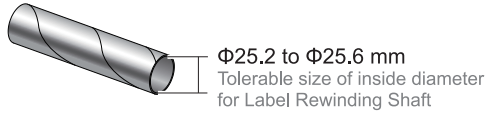
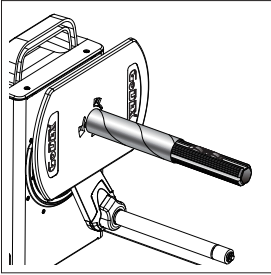
Core Adapter

for 1.5" and 3" Empty label core.

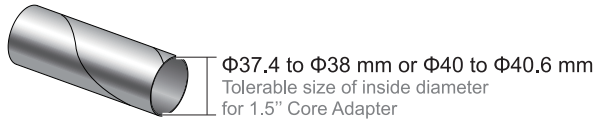
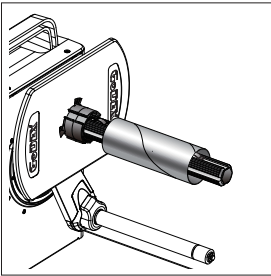


Match up the empty label core and core adapter

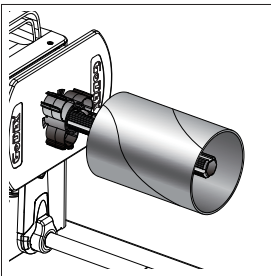
1'' Empty Label Core
with Label rewinding shaft.



1.5'' Empty Label Core
with 1.5'' Core adapter.

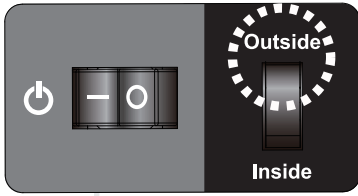


3'' Empty Label Core
with 3'' Core adapter.

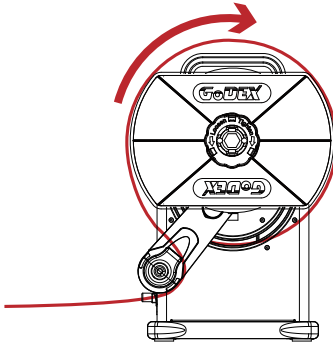


The Modes of Rewinding

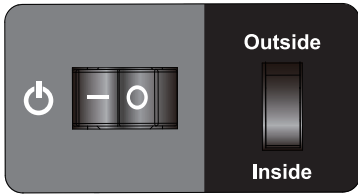
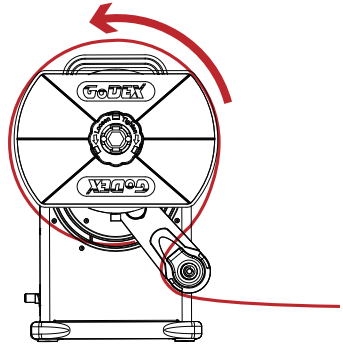
Outside



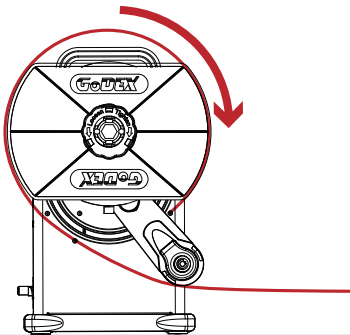
Clockwise



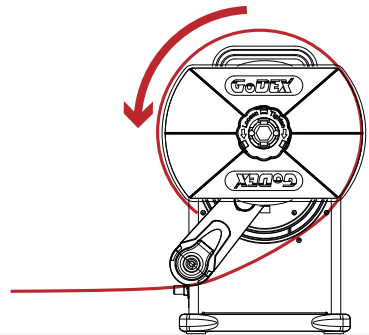
Counterclockwise



Clockwise

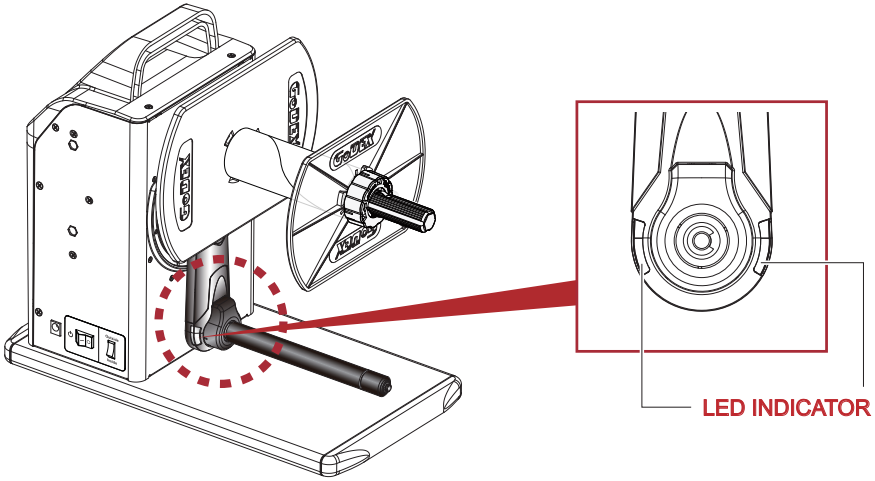


Counterclockwise



4 WHAT'S THE STATUS OF THE REWINDER

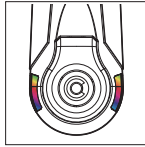
LED Indicator



STATUS

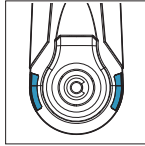
LED INDICATOR

Power ON



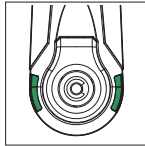
Flash

Outside



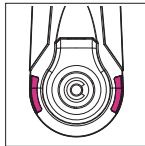
Blue

Inside



Green

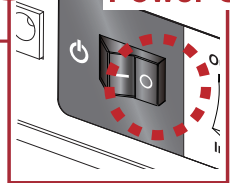
Error / Alert



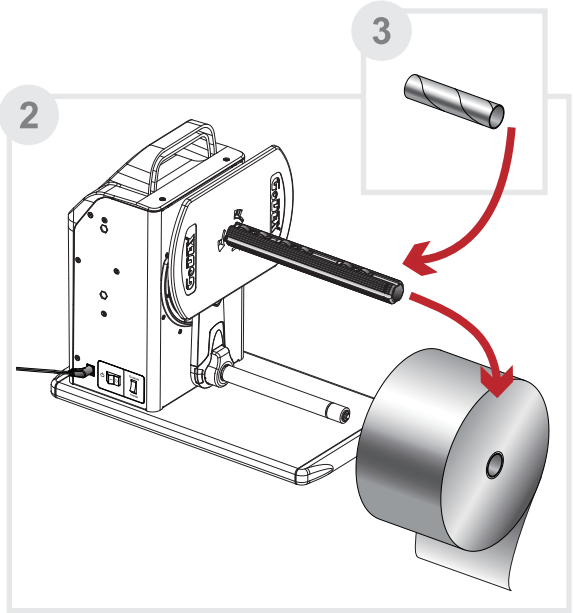
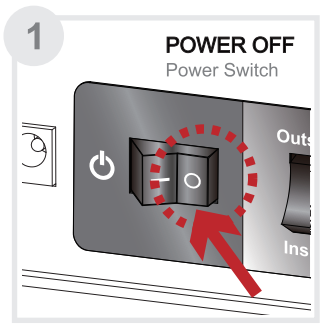
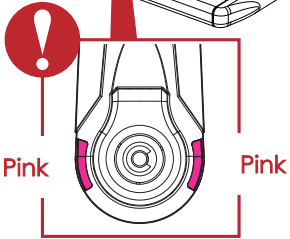
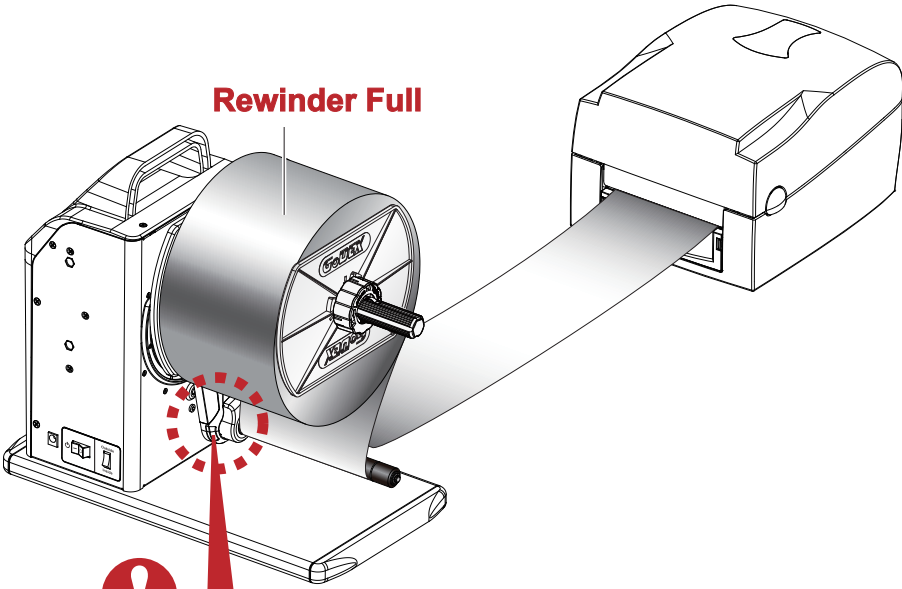
Pink



Power OFF

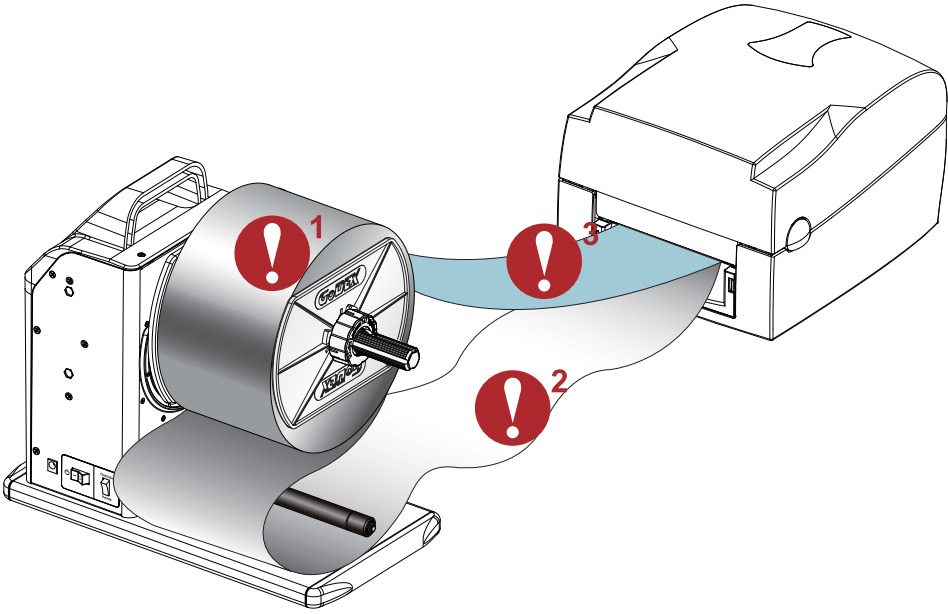


When The Rewinder Is Full



5 TROUBLESHOOTING

Error / Alert



Error /Alert

Description



Paper Full

refer to "When The Rewinder Is Full" on Chapter 4



Sensing Error

refer to "Sensing Error" on Chapter 5

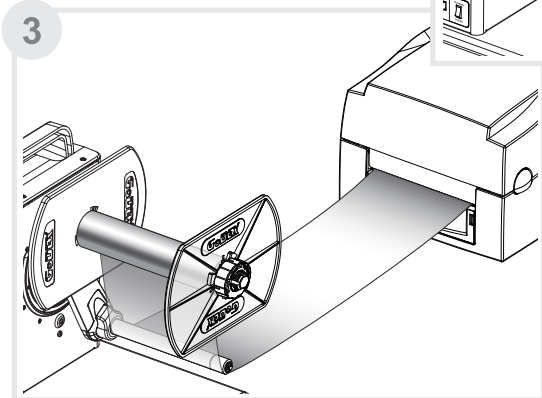
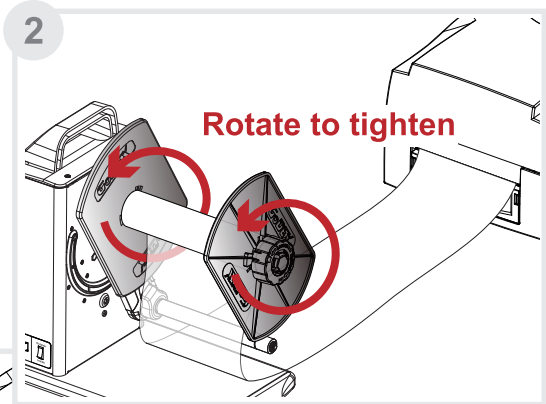
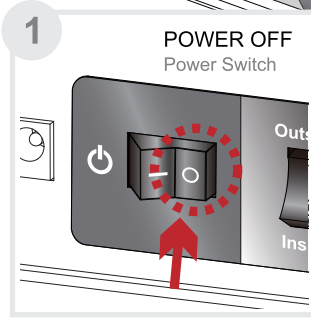
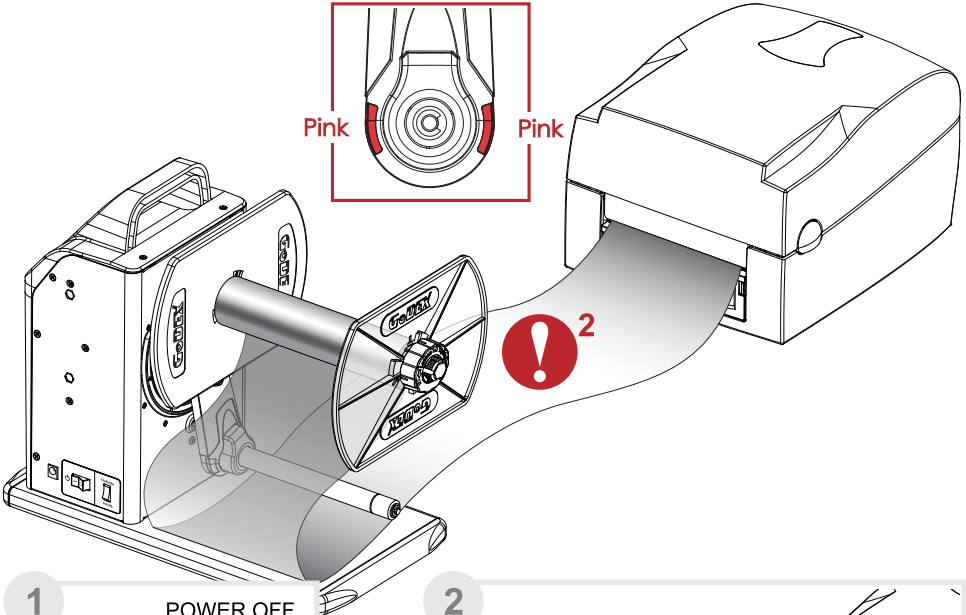


Idle Load

refer to "Idle Load" on Chapter 5

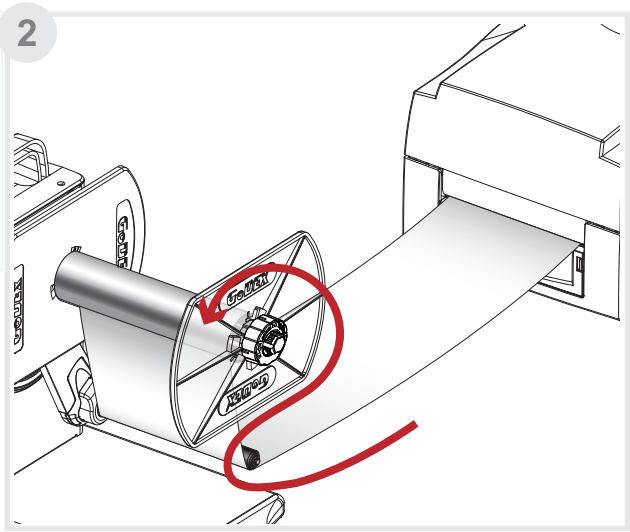
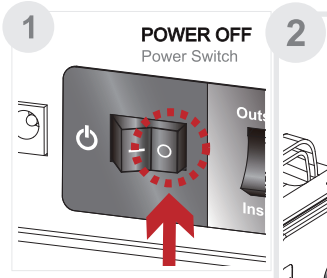
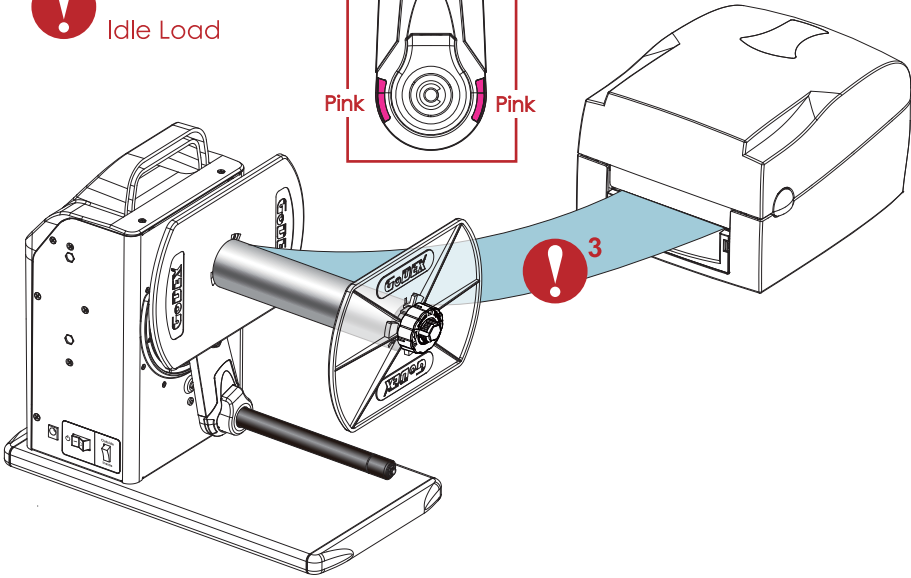
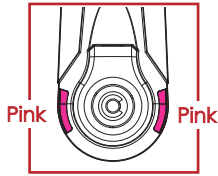


Sensing Error





Idle Load



T20 USER GUIDE

APPENDIX

PRODUCT SPECIFICATIONS

Model	T20 Label Rewinder	
Paper width	7" (Max)	
Rewind Speed	12 IPS	
Label Roll	6" (Max.)	
Core Roll	Coreless	
	1" (25.2 to 25.6 mm)	
	1.5" (37.4 to 38 mm)	
	1.5" (40 to 40.6 mm)	
	3" (76 to 76.6 mm)	
Label Roll Weight	5 Kg	
Rewinding	Label Inside/Outside	
Switches	Rewind	
Motor	Hybrid Motor	
Power	100~240VAC 24W, 24V Adapter	
Environment	Operating Temp.	41°F to 104°F (5°C to 40°C)
	Storage Temp.	-4°F to 122°F (-20°C to 60°C)
Humidity	10-85% (non-condensing RH)	
Size(H*W*D)	303 mm x 180 mm x 394 mm	
Agency Approvals	CE, FCC Class A	
Weight	5 Kg (11 lb)	



www.godexintl.com



Barcodes Made Easy

Godex International (Headquarters)

13F, No.168, Jian-Kang Road
Zhonghe Dist, New Taipei City 235 TAIWAN
Telephone: +886 2 2225 8580
Fax: +886 2 2225 8480
Contact us: infoGT@godexintl.com
Technical support: techGT@godexintl.com

Godex Americas

4023 Camino Ranchero Rd., Ste A
Camarillo, CA 93012
Telephone: +1 805 987 5100
Fax: +1 805 987 5115
Contact us: infoGA@godexintl.com
Technical support: techsupportGA@godexintl.com

Godex China

5F, No.68 Jiang Chang 1 Road Shanghai, China
Telephone: +86 21 5665 1313
Fax: +86 21 5665 7455
Contact us: shanghai@godexintl.com
Technical support: support@godexintl.com

Godex Europe

Arnzhauschen 36 D-42929
Wermelskirchen, Germany
Telephone: +49 2193 53396 0
Fax: +49 2193 53396 69
Contact us: infoGE@godexintl.com
Technical support: technikGE@godexintl.com